



E-gate Solution

INDUSTRY PRODUCT SOLUTIONS



Office: 17/F, Block C, Digital Innovation Center, Min Tang Road, Minzhi Street Longhua District, Shenzhen, Guangdong Province
Factory: Building 28, NO.24 Daxing Street, Daping, Tangxia Town, Dongguan, Guangdong Province
Tel.: +86 755-27620066
Fax: +86 755-27620099
Website : www.drzk.cn/www.gateturnstile.com

DOOR道尔®
STOCK CODE: 832966

目 录

01

行业流程

Industry process

02

产品案例

Case

03

服务优势

Service Advantages



Airport Flow

Domestic

Epidemic detection

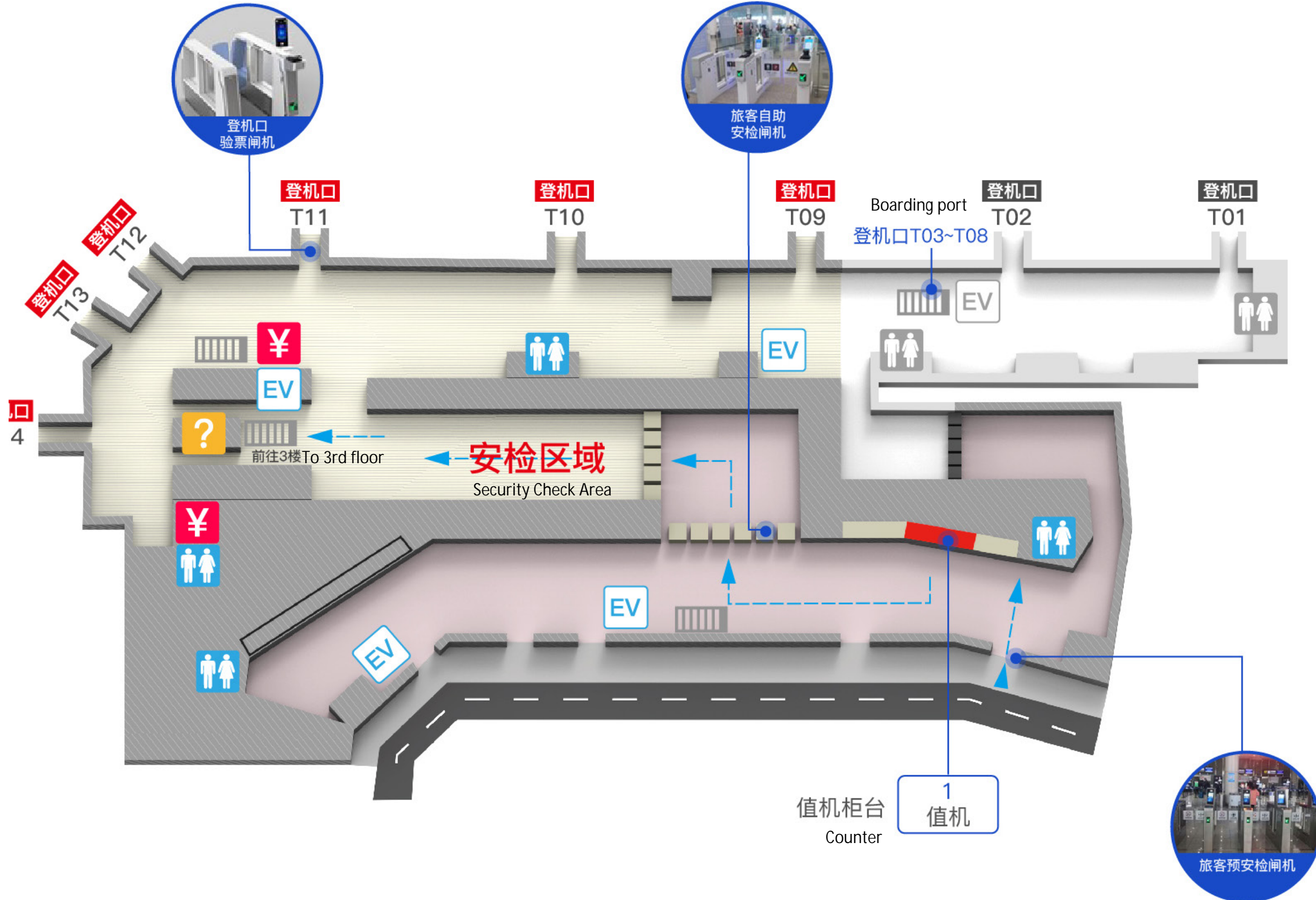
Certification Verification

Boarding inspection

International

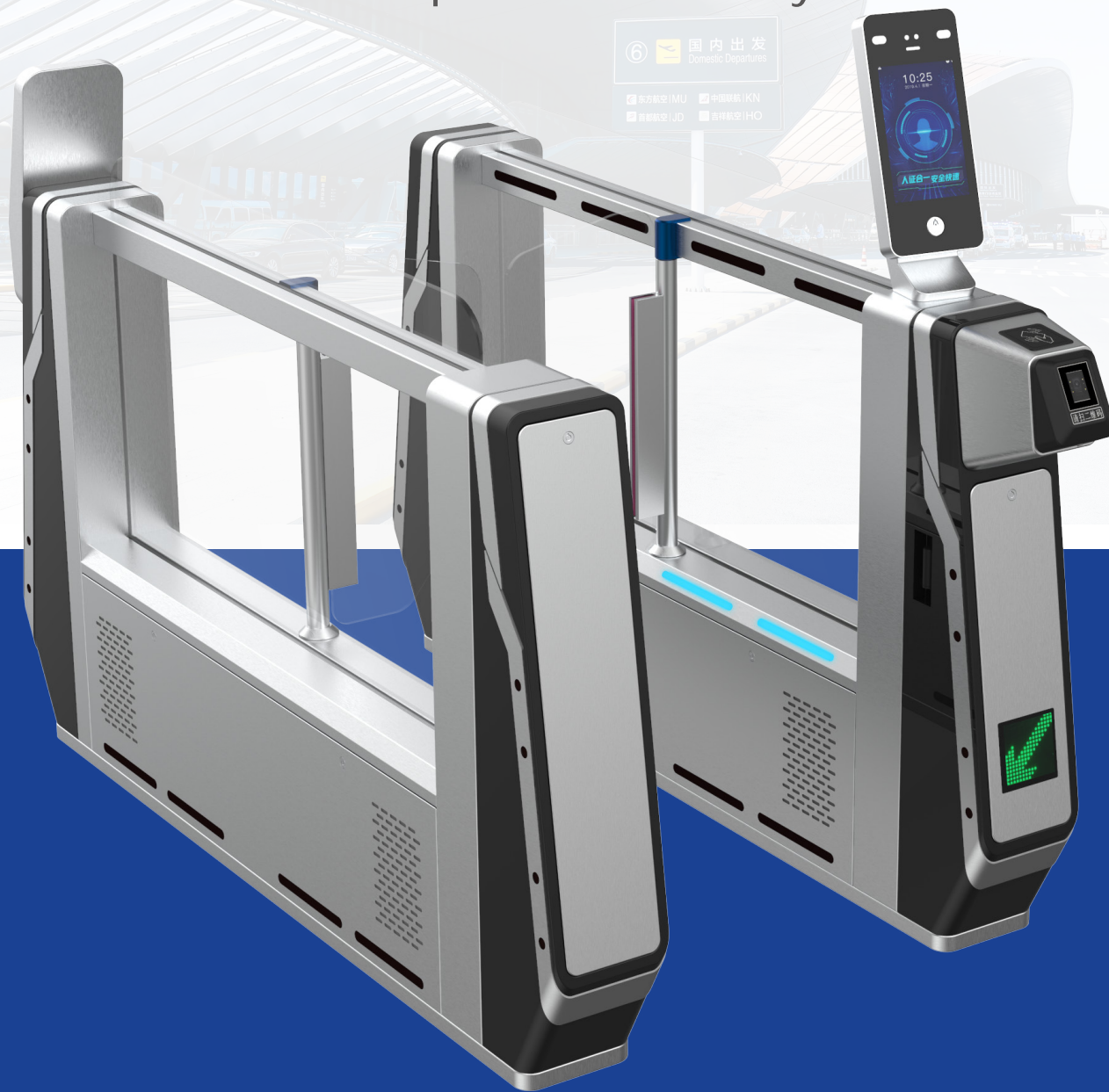
Entry inspection

Verification

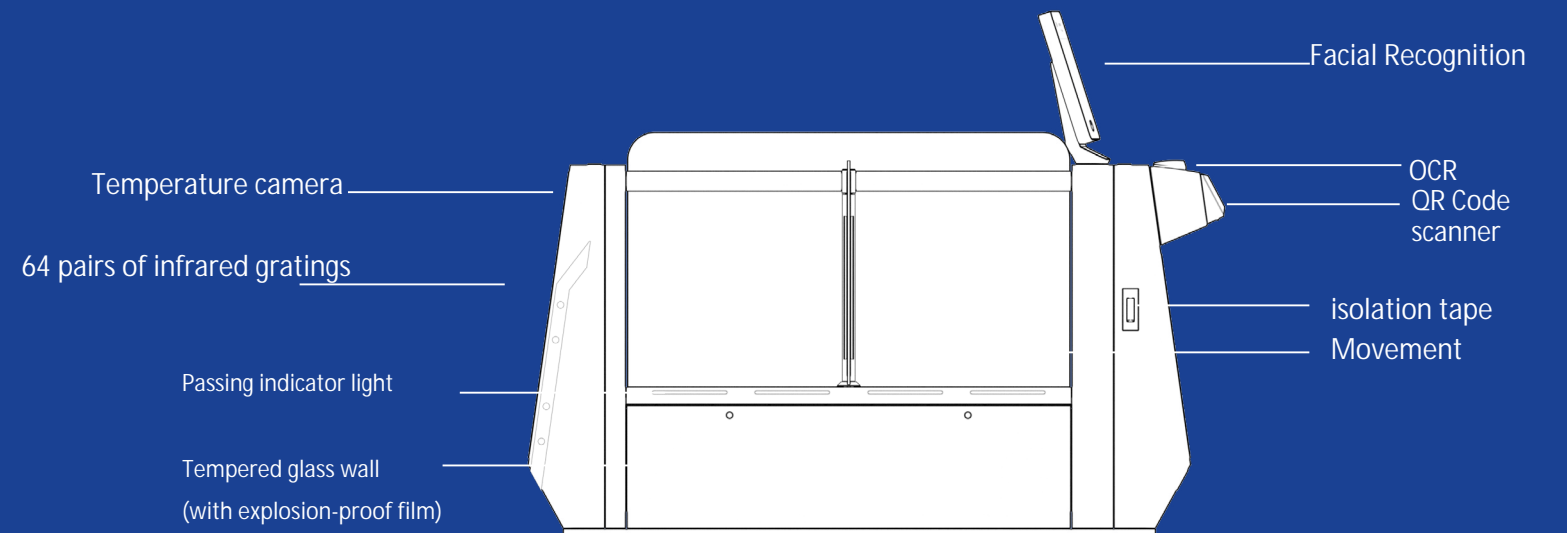
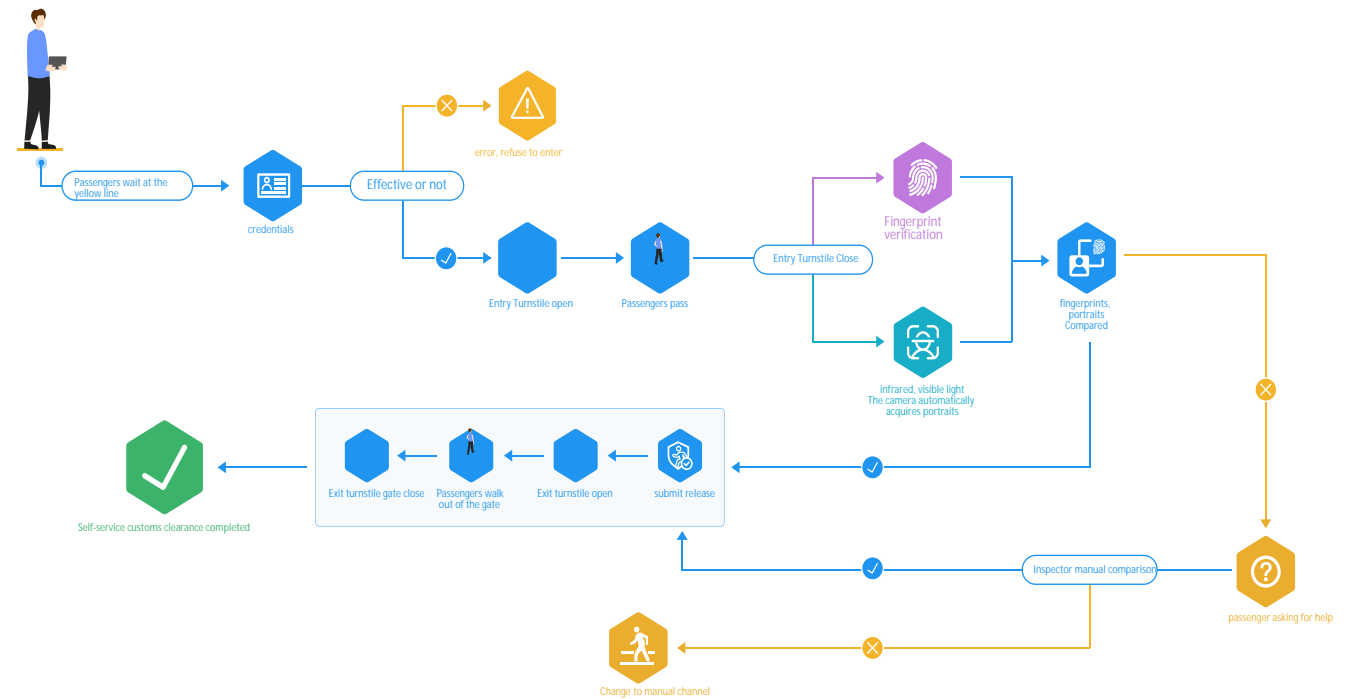


Airport Turnstile Gate

Airport Pre-Security Gate



Flow



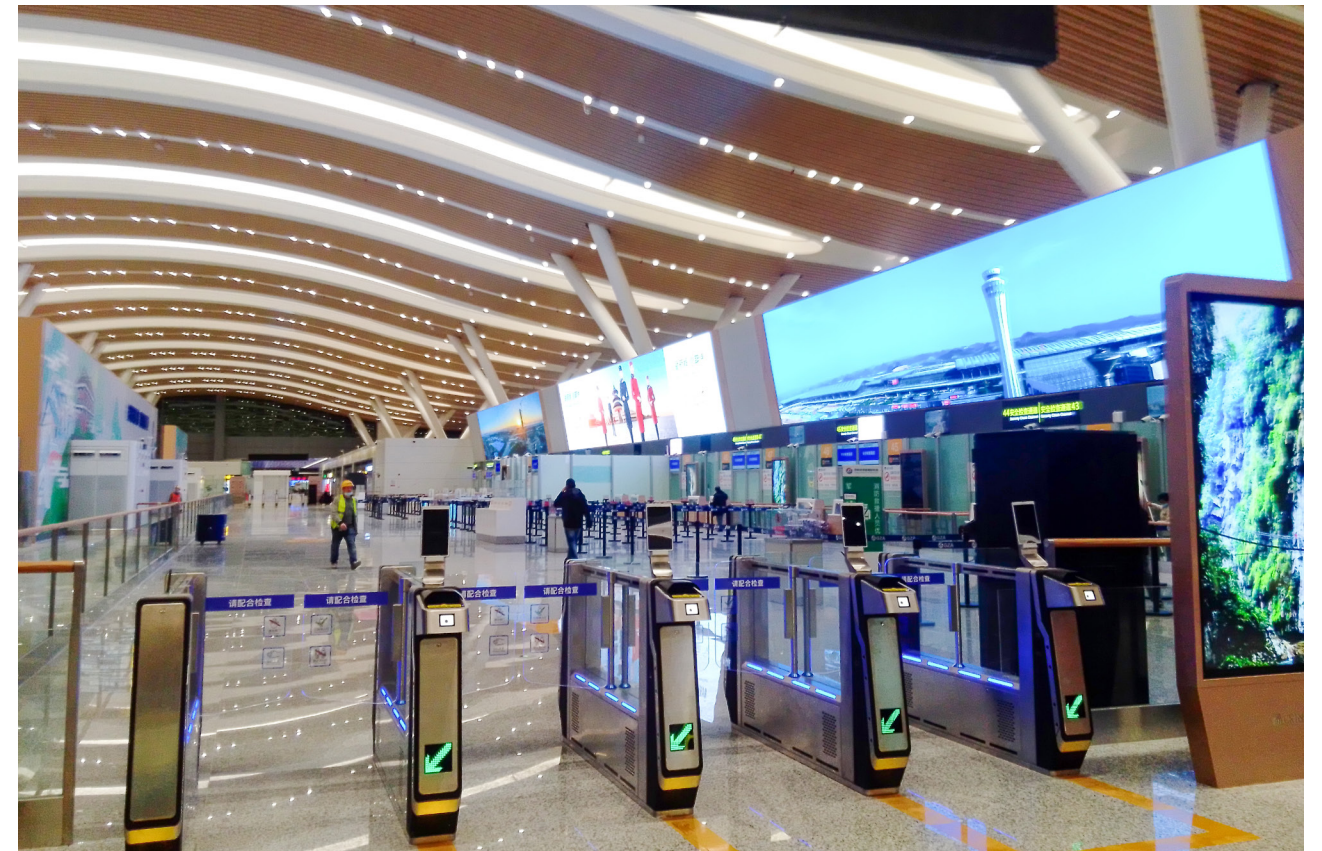
Parameter

Item	Parameter
Size	2600 (L) ×200 (W) (single channel) ×1160 (H) unit : MM (The actual size is subject to the final object)
Communication mode	COM (RS-232) standard power off the whole machine CTS-, DSR- power on the whole machine CTS-, DSR+ reader or gate disconnection CTS-, DSR+ reader and gate ready CTS+, DSR+
Material	The chassis is made of 304 stainless steel and QA235 cold-rolled plate spraying process
Opening method	Channel double swing gate design
Design Features	Streamlined appearance design, beautiful appearance, in line with ergonomics;
Power supply, network cable port design	Power supply and network cable installation position design is reasonable, easy to plug and unplug
Screen tips	There are text images, operation process animation prompts
Chassis door switch status feedback	The enclosure door is equipped with a switch sensor
Speakers	Voice prompt, built-in two-channel speakers, maximum output power $\geq 60W$
power supply module	Expandable UPS, equipped with leakage protection switch and fuse
Physical cabinet lock	Equipped with special keyed mechanical lock
computer lock	Equipped with special electronic switch lock
channel indicator	Install LED warning lights, red to remind passengers that they are prohibited from passing, green to remind passengers to allow passage, and blue to indicate the standby state
Alarm	Real-time alarm for various abnormal states, the chassis is equipped with a voice control system
maintenance features	Modular design is adopted, which is convenient for installation and replacement of product components, especially for changing paper, plugging and unplugging power cords and network cables. Reasonable machine setting, easy to operate
Emergency switch	Quickly switch to barrier-free mode in case of emergency

Machine configuration

Device	Quantity
Left channel + right channel chassis (single channel)	1 set
industrial computer	1 set
Facial recognition	1 set
QR code	1set
IR sensor	16 pairs
UPS	1 set (optional)
Servo motor	2 sets
ID card, passport OCR reader	1 set
Manager release system	1 set optional
Safe electricity protection system	1 set
Passage instructions, illegal entry alarm system	1 set
Infrared grating logic control system	1 set
Alarm voice control system	1 set
Gate logic control system	1 set
information interaction system	1 set
Help system, also supports Braille guidance	1 set

Cases

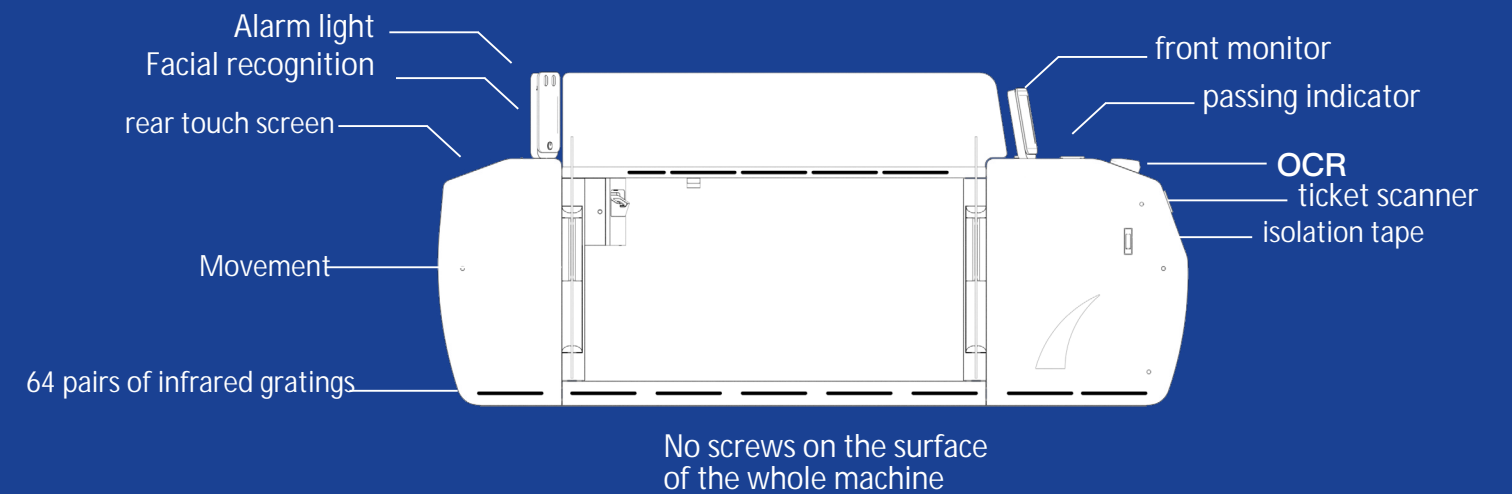
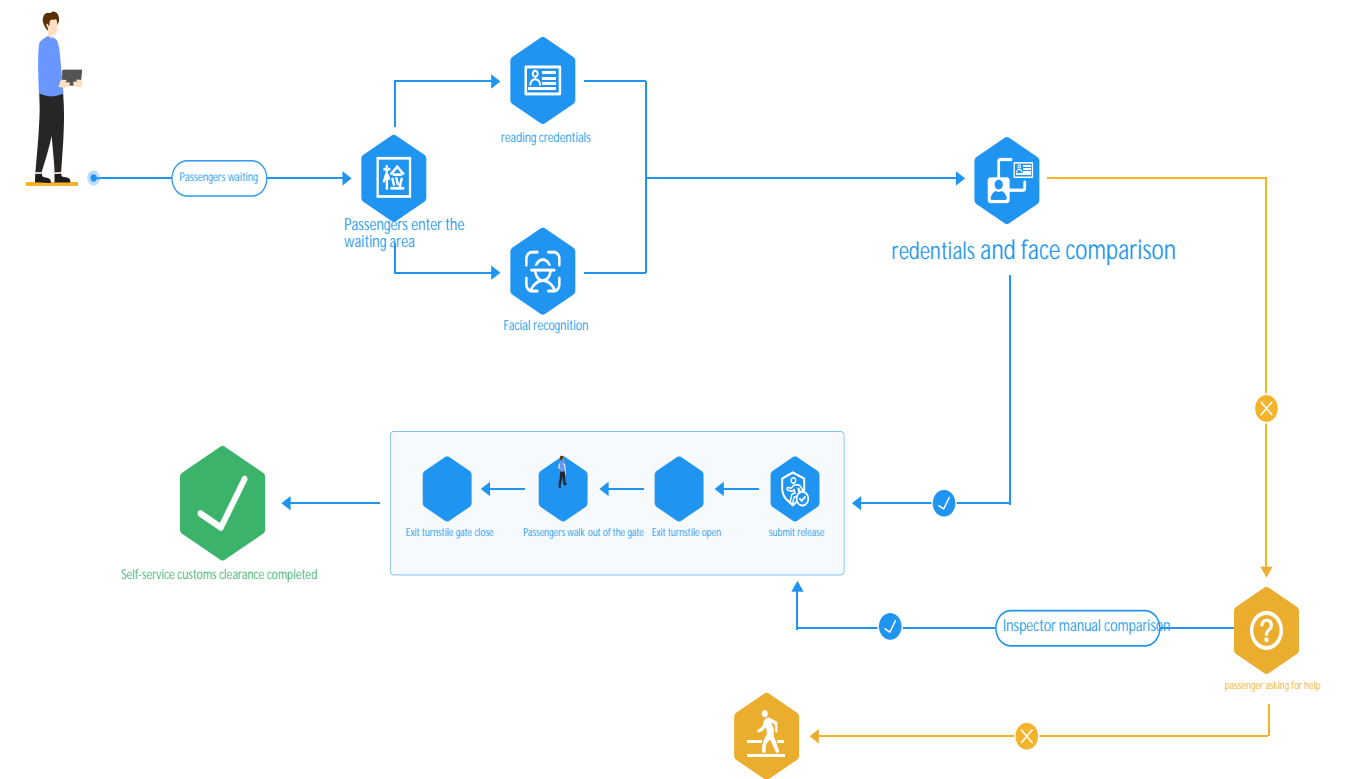


Airport Security Gate

Customs health and quarantine gate



Flow



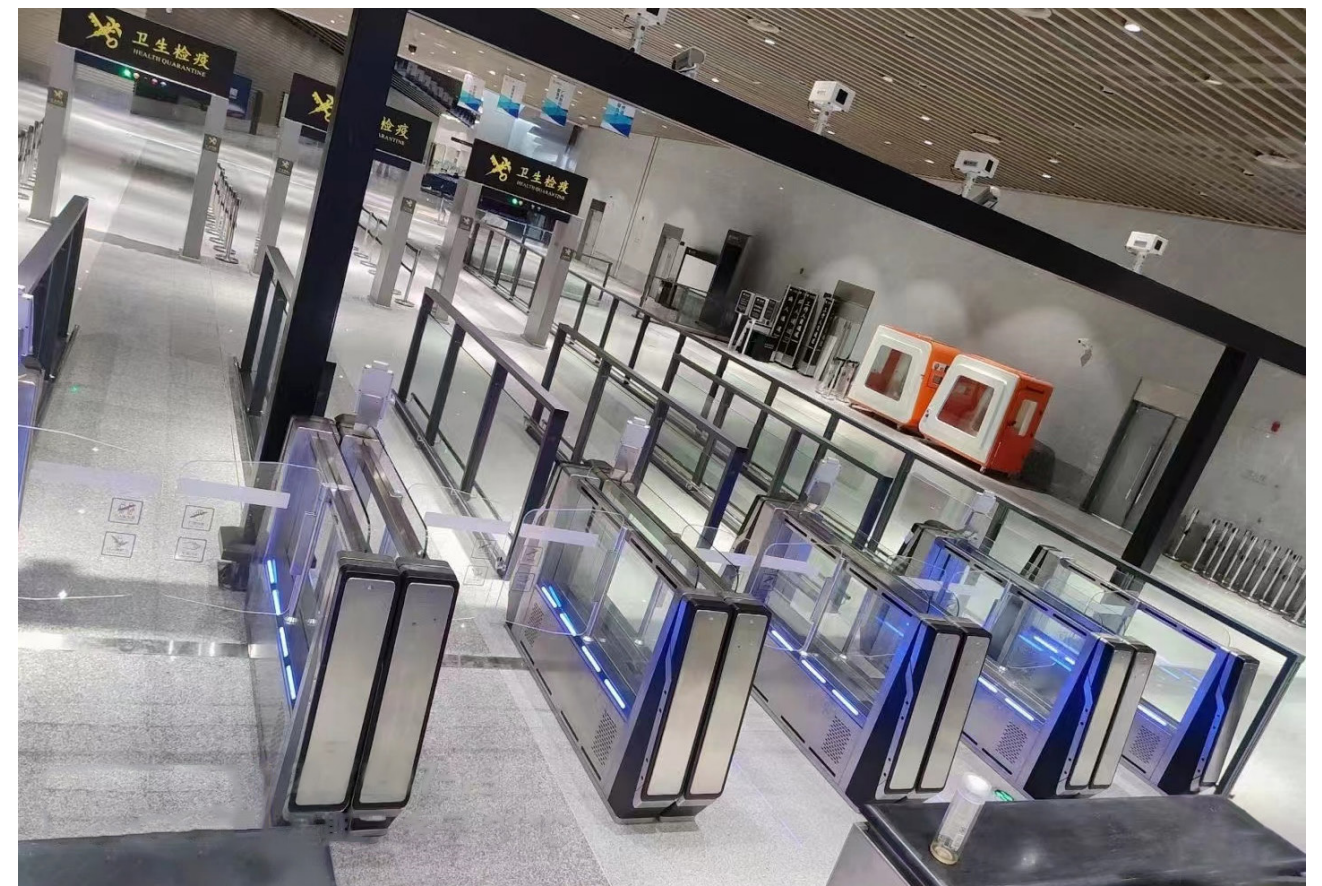
Parameter

Item	Parameter
Size	3350 (L) ×200 (W) (single channel) ×1500 (H) unit : MM (The actual size is subject to the final object)
Communication mode	COM (RS-232) standard power off the whole machine CTS-, DSR- power on the whole machine CTS-, DSR+ reader or gate disconnection CTS-, DSR+ reader and gate ready CTS+, DSR+
Material	The chassis is made of 304 stainless steel and QA235 cold-rolled plate spraying process
Opening method	Channel double swing gate design
Design Features	Streamlined appearance design, beautiful appearance, in line with ergonomics;
Power supply, network cable port design	Power supply and network cable installation position design is reasonable, easy to plug and unplug
Screen tips	There are text images, operation process animation prompts
Chassis door switch status feedback	The enclosure door is equipped with a switch sensor
Speakers	Voice prompt, built-in two-channel speakers, maximum output power ≥ 60W
power supply module	Expandable UPS, equipped with leakage protection switch and fuse
Physical cabinet lock	Equipped with special keyed mechanical lock
computer lock	Equipped with special electronic switch lock
channel indicator	Install LED warning lights, red to remind passengers that they are prohibited from passing, green to remind passengers to allow passage, and blue to indicate the standby state
Alarm	Real-time alarm for various abnormal states, the chassis is equipped with a voice control system
maintenance features	Modular design is adopted, which is convenient for installation and replacement of product components, especially for changing paper, plugging and unplugging power cords and network cables. Reasonable machine setting, easy to operate
Emergency switch	Quickly switch to barrier-free mode in case of emergency

Machine configuration

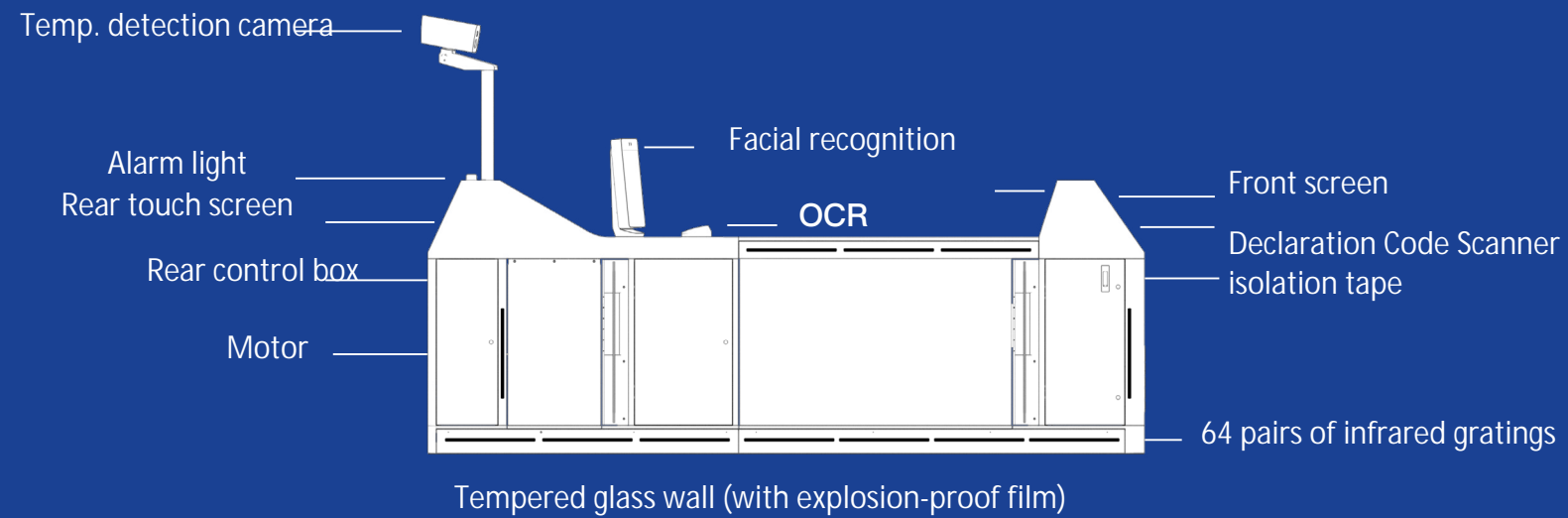
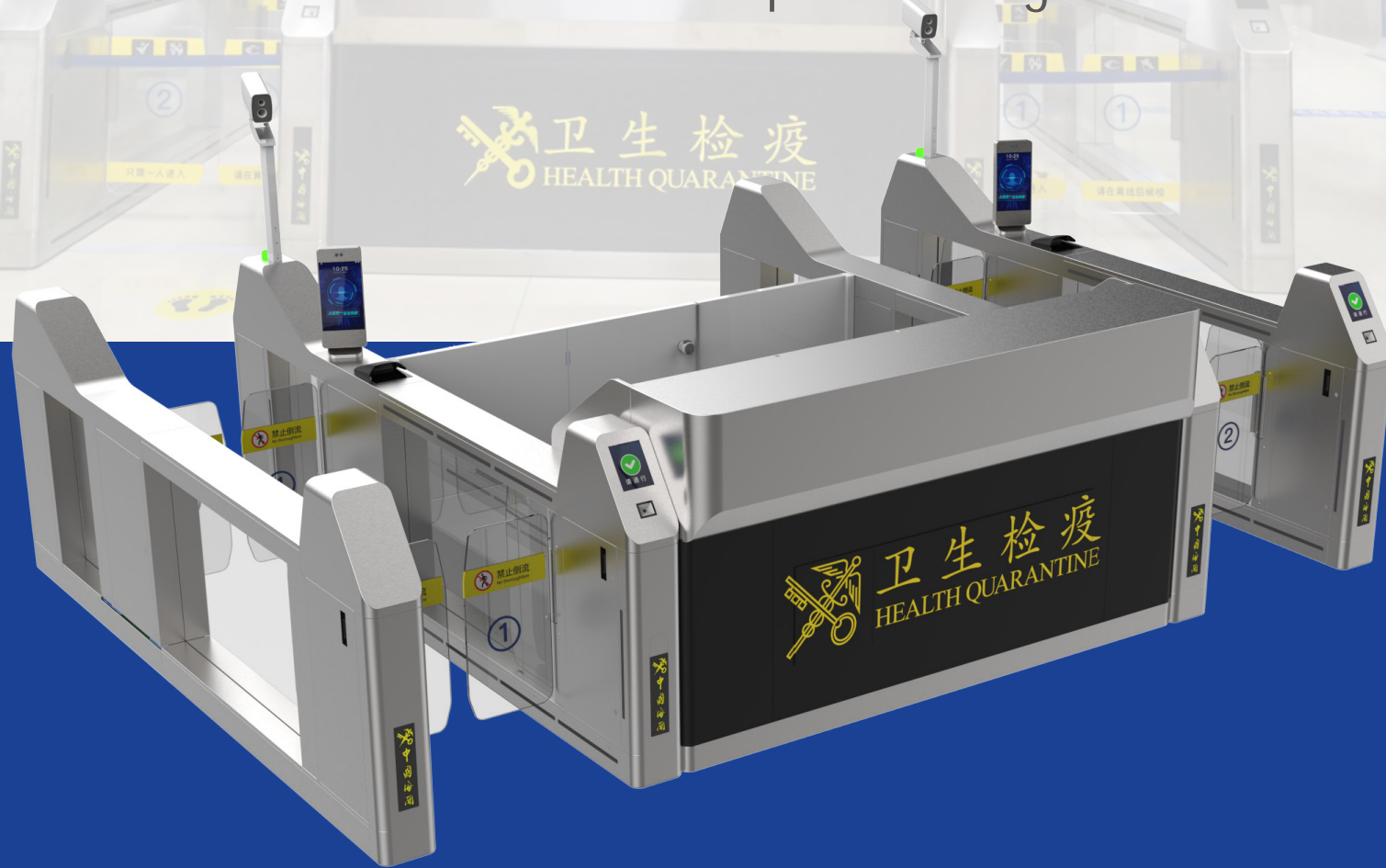
Device	Quantity
Left channel + right channel chassis (single channel)	1 set
industrial computer	1 set
Facial recognition	1 set
QR code	1set
IR sensor	32 pairs
UPS	1 set (optional)
Servo motor	2 sets
ID card, passport OCR reader	1 set
Manager release system	1 set optional
Safe electricity protection system	1 set
Passage instructions, illegal entry alarm system	1 set
Infrared grating logic control system	1 set
Alarm voice control system	1 set
Gate logic control system	1 set
information interaction system	1 set
Help system, also supports Braille guidance	1 set

相关案例



Customs quarantine products

Customs health and quarantine gate



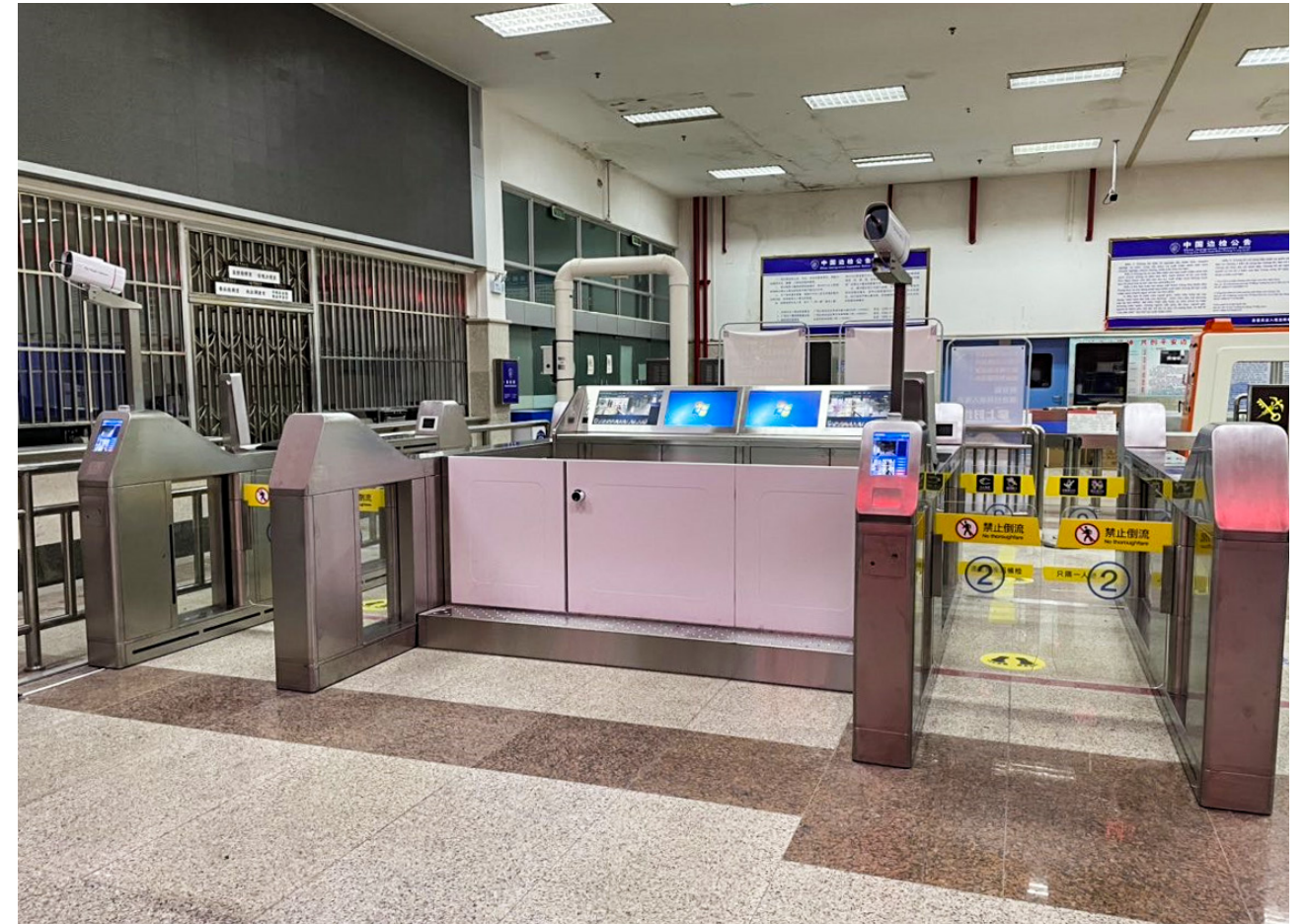
Parameter

Item	Parameter
Size	2020 (L) ×200 (W) (single channel) ×1160 (H) unit : MM (The actual size is subject to the final object)
Communication mode	COM (RS-232) standard power off the whole machine CTS-, DSR- power on the whole machine CTS-, DSR+ reader or gate disconnection CTS-, DSR+ reader and gate ready CTS+, DSR+
Material	The chassis is made of 304 stainless steel and QA235 cold-rolled plate spraying process
Opening method	Channel double swing gate design
Design Features	Streamlined appearance design, beautiful appearance, in line with ergonomics;
Power supply, network cable port design	Power supply and network cable installation position design is reasonable, easy to plug and unplug
Screen tips	There are text images, operation process animation prompts
Chassis door switch status feedback	The enclosure door is equipped with a switch sensor
Speakers	Voice prompt, built-in two-channel speakers, maximum output power ≥ 60W
power supply module	Expandable UPS, equipped with leakage protection switch and fuse
Physical cabinet lock	Equipped with special keyed mechanical lock
computer lock	Equipped with special electronic switch lock
channel indicator	Install LED warning lights, red to remind passengers that they are prohibited from passing, green to remind passengers to allow passage, and blue to indicate the standby state
Alarm	Real-time alarm for various abnormal states, the chassis is equipped with a voice control system
maintenance features	Modular design is adopted, which is convenient for installation and replacement of product components, especially for changing paper, plugging and unplugging power cords and network cables. Reasonable machine setting, easy to operate
Emergency switch	Quickly switch to barrier-free mode in case of emergency

Machine configuration

Device	Quantity
Left channel + right channel chassis (single channel)	1 set
industrial computer	1 set
Facial recognition	1 set
QR code	1set
IR sensor	16 pairs
UPS	1 set (optional)
Servo motor	2 sets
ID card, passport OCR reader	1 set
Manager release system	1 set optional
Safe electricity protection system	1 set
Passage instructions, illegal entry alarm system	1 set
Infrared grating logic control system	1 set
Alarm voice control system	1 set
Gate logic control system	1 set
information interaction system	1 set
Help system, also supports Braille guidance	1 set

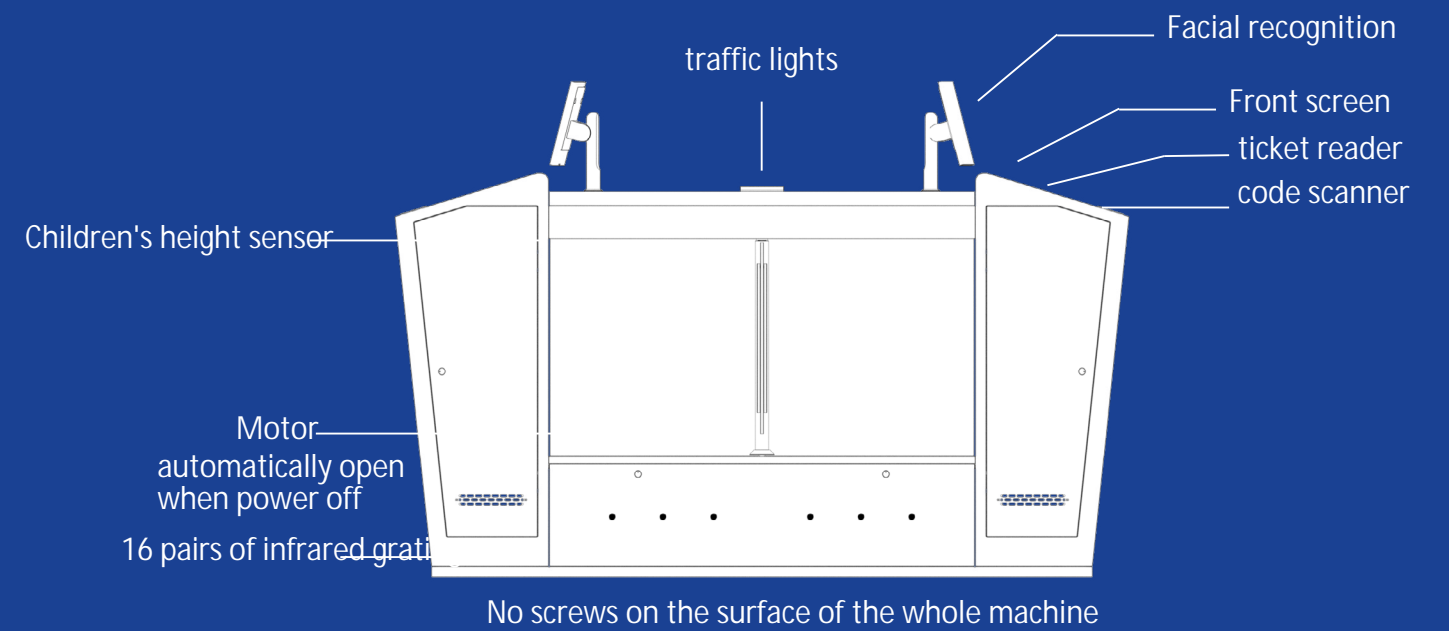
Cases



Subway Turnstile Gate



Cases



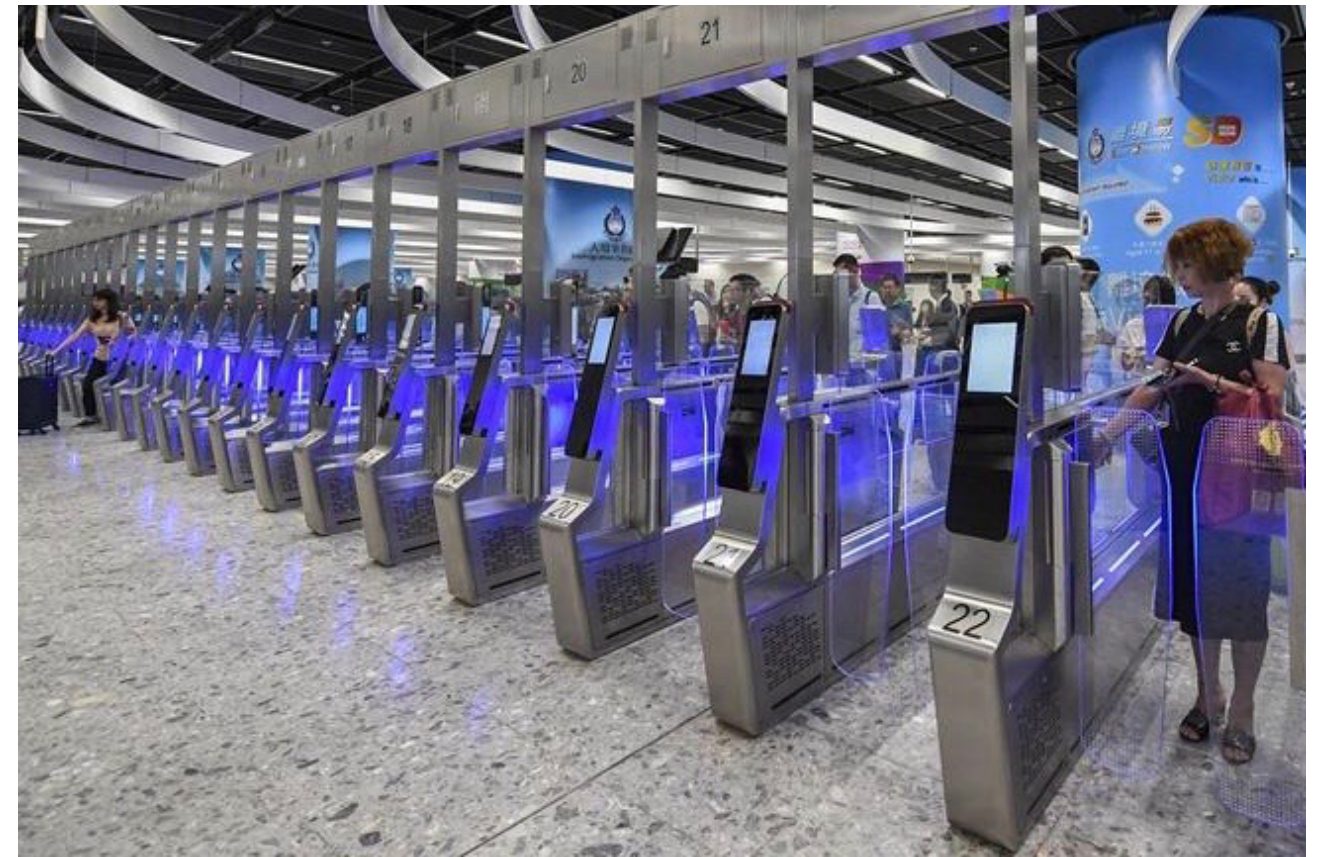
Parameter

Item	Parameter
Size	2000 (L) ×200 (W) (single channel) ×1100 (H) unit : MM (The actual size is subject to the final object)
Communication mode	COM (RS-232) standard power off the whole machine CTS-, DSR- power on the whole machine CTS-, DSR+ reader or gate disconnection CTS-, DSR+ reader and gate ready CTS+, DSR+
Material	The chassis is made of 304 stainless steel and QA235 cold-rolled plate spraying process
Opening method	Channel double swing gate design
Design Features	Streamlined appearance design, beautiful appearance, in line with ergonomics;
Power supply, network cable port design	Power supply and network cable installation position design is reasonable, easy to plug and unplug
Screen tips	There are text images, operation process animation prompts
Chassis door switch status feedback	The enclosure door is equipped with a switch sensor
Speakers	Voice prompt, built-in two-channel speakers, maximum output power ≥ 60W
power supply module	Expandable UPS, equipped with leakage protection switch and fuse
Physical cabinet lock	Equipped with special keyed mechanical lock
computer lock	Equipped with special electronic switch lock
channel indicator	Install LED warning lights, red to remind passengers that they are prohibited from passing, green to remind passengers to allow passage, and blue to indicate the standby state
Alarm	Real-time alarm for various abnormal states, the chassis is equipped with a voice control system
maintenance features	Modular design is adopted, which is convenient for installation and replacement of product components, especially for changing paper, plugging and unplugging power cords and network cables. Reasonable machine setting, easy to operate
Emergency switch	Quickly switch to barrier-free mode in case of emergency

Machine configuration

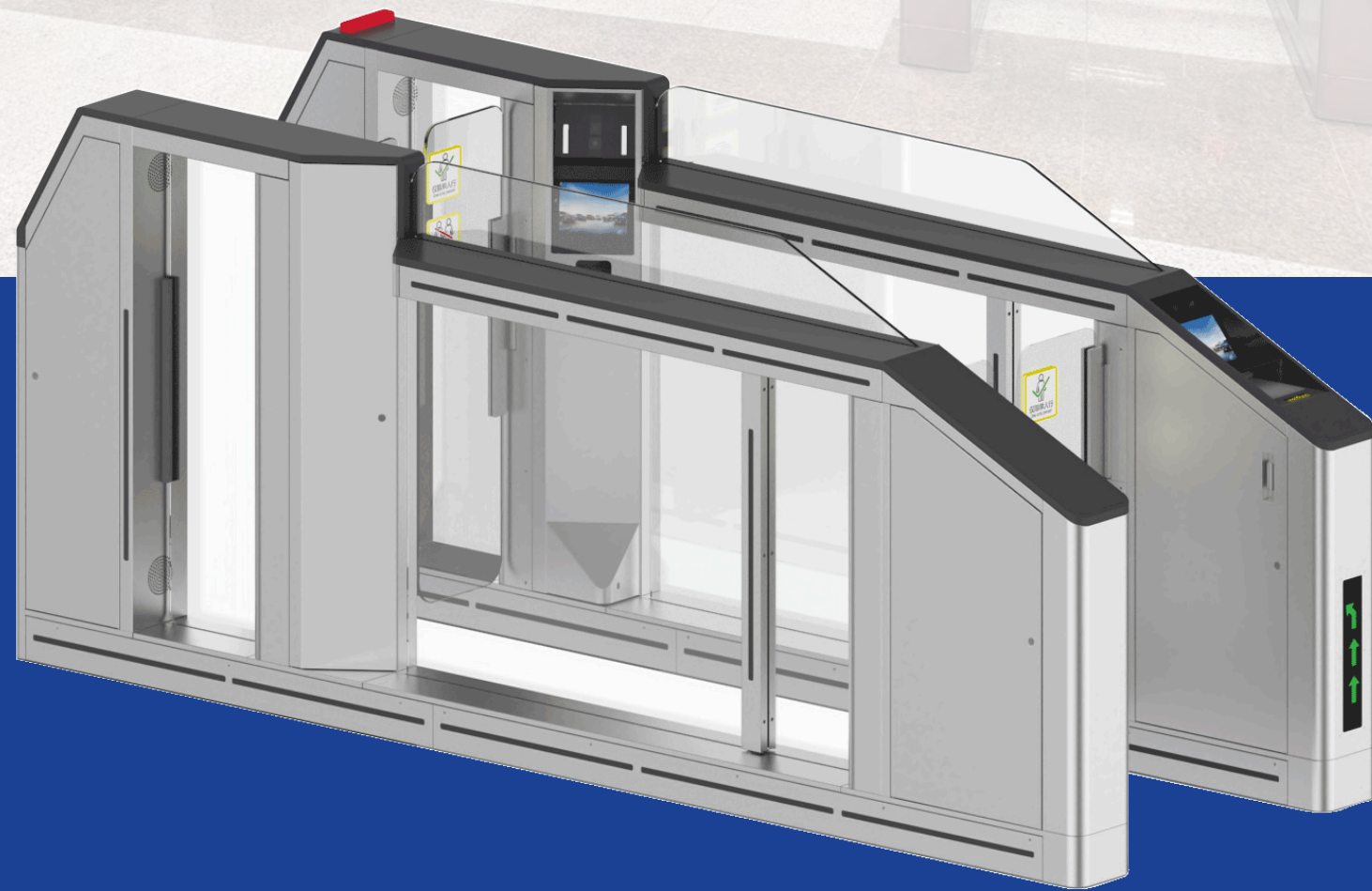
Device	Quantity
Left channel + right channel chassis (single channel)	1 set
industrial computer	1 set
Facial recognition	1 set
QR code	1set
IR sensor	16 pairs including 4 paris of children height sensor
UPS	1 set (optional)
Servo motor	2 sets
ID card, passport OCR reader	1 set
Manager release system	1 set optional
Safe electricity protection system	1 set
Passage instructions, illegal entry alarm system	1 set
Infrared grating logic control system	1 set
Alarm voice control system	1 set
Gate logic control system	1 set
information interaction system	1 set
Help system, also supports Braille guidance	1 set

相关案例

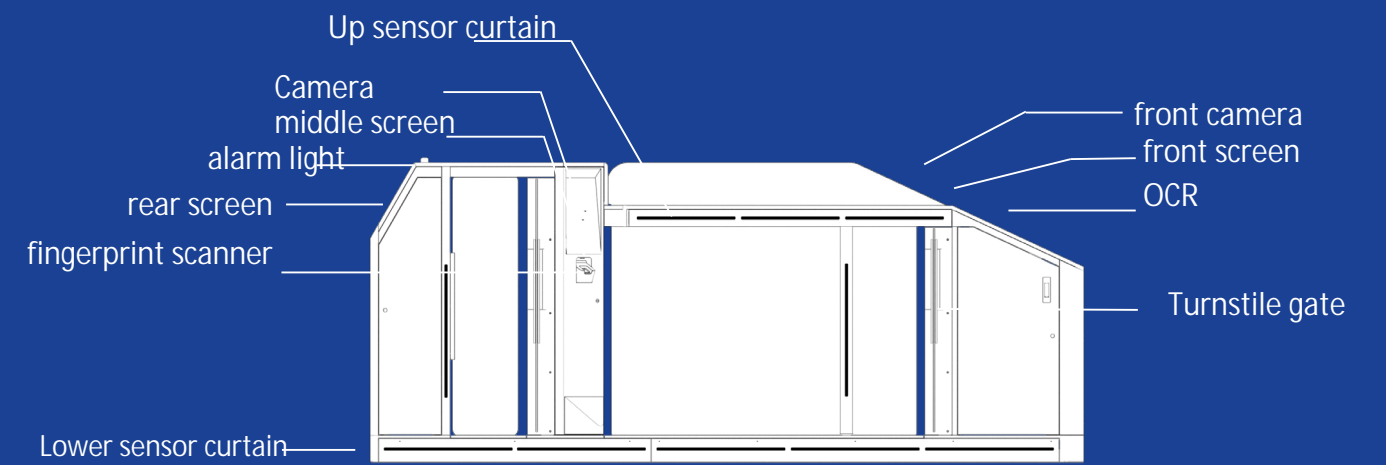
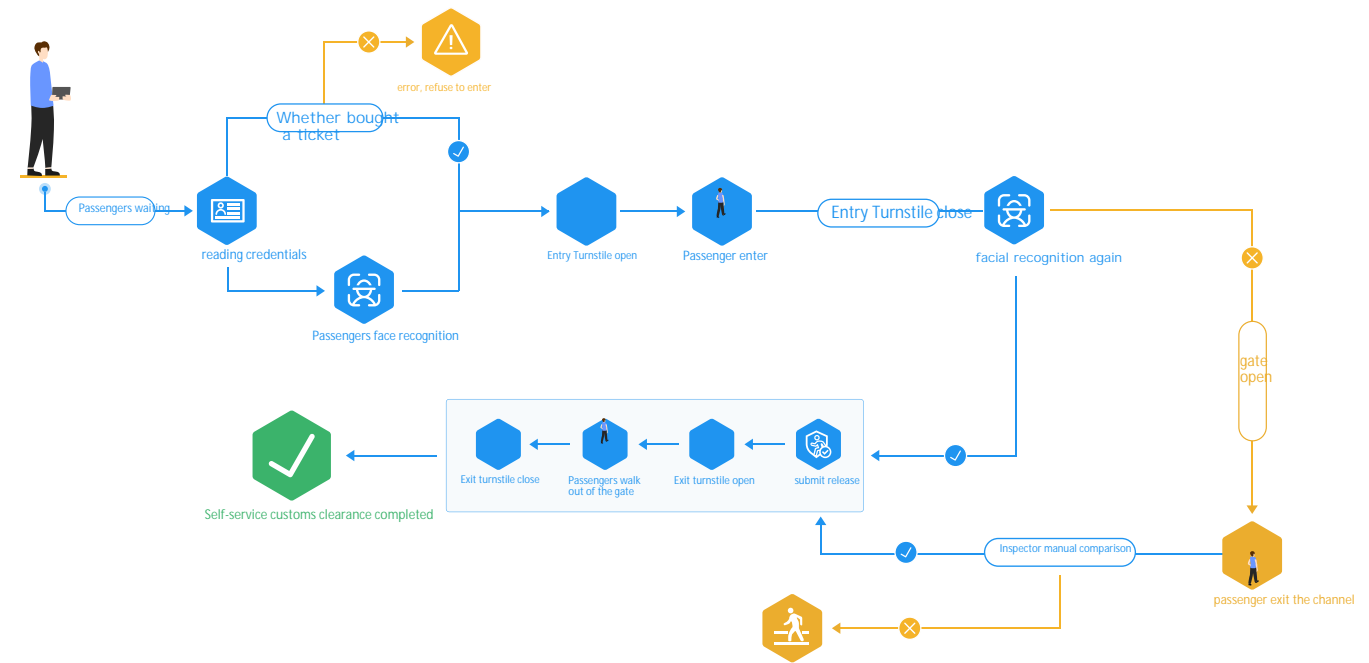




Immigration Gate



Immigration Gates Using Flow

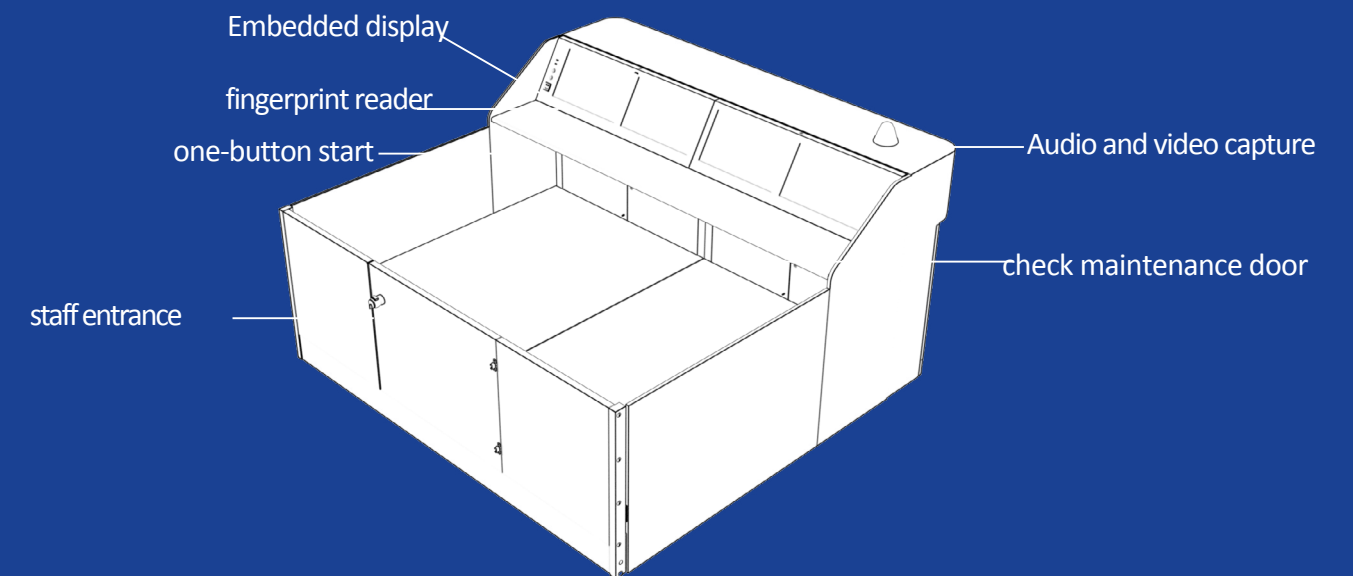
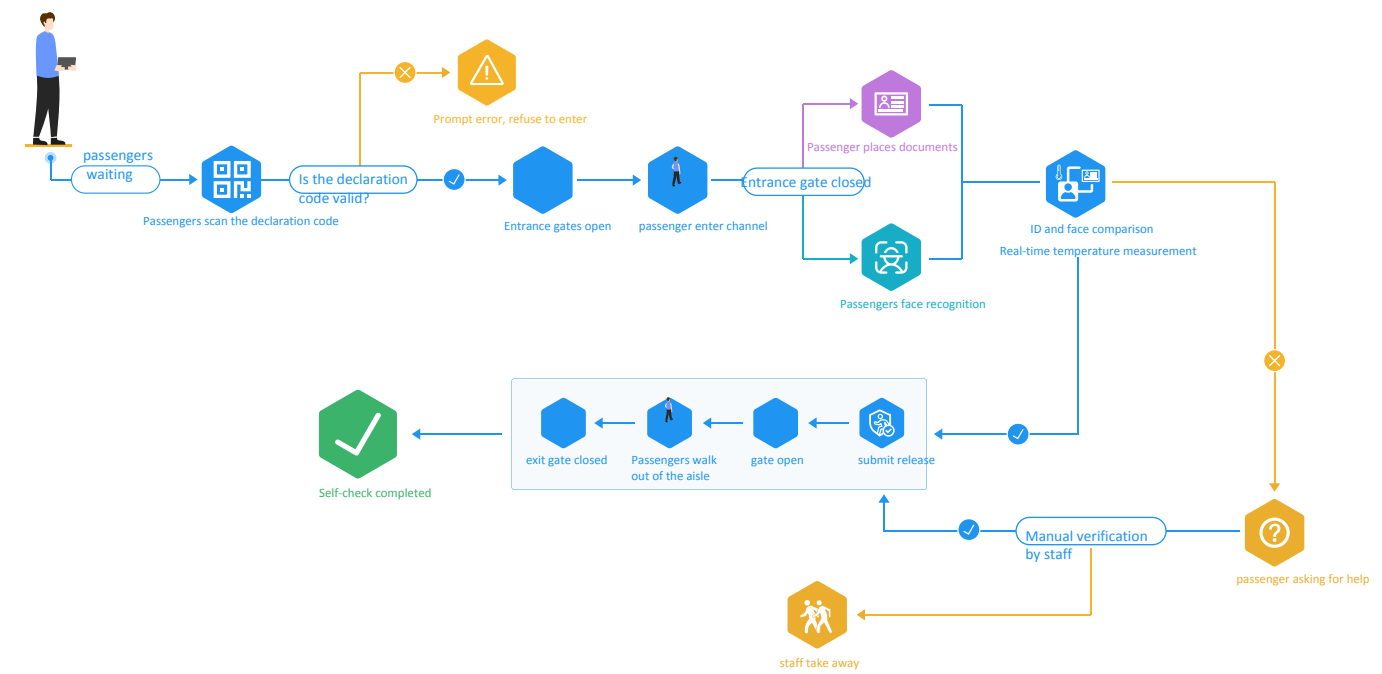


matching equipment

verification bench



Customs declaration desk equipment use process





Custom Declaration Desk



Customs self-service declaration all-in-one machine

